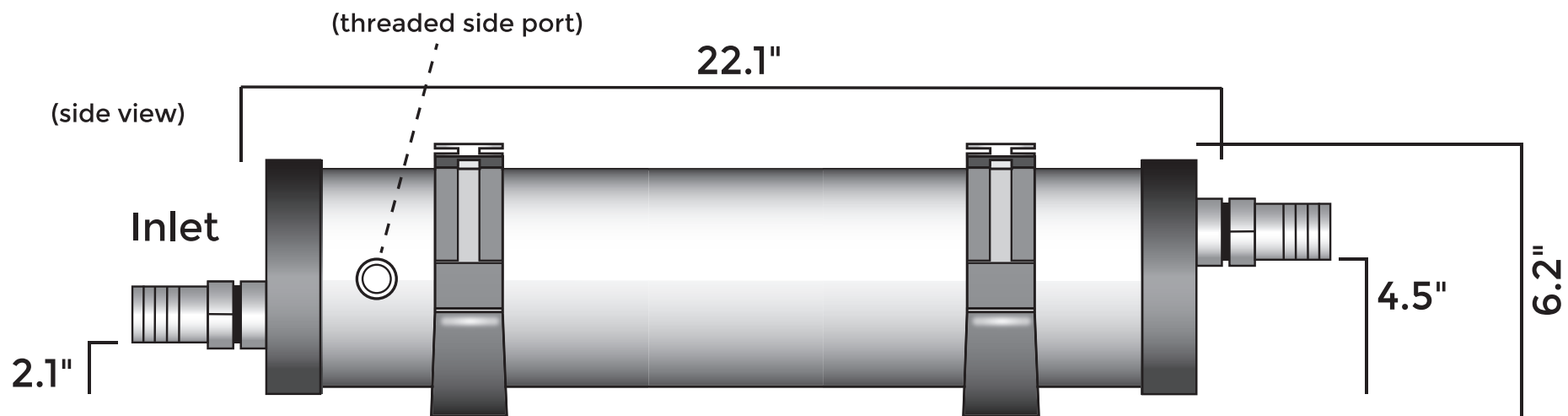


JJM® K-3000



K-3000 Included Parts
(2) Screens
(2) End-caps
(2) Mounting Brackets
(2) O-rings
(2) 3/4" Socket Adapters
(2) 3/4" Barb Fittings
(1) Plug

Part No.	MBH	GPH	Inlet/Outlet
5104	3,000-3,500	24	3/4"