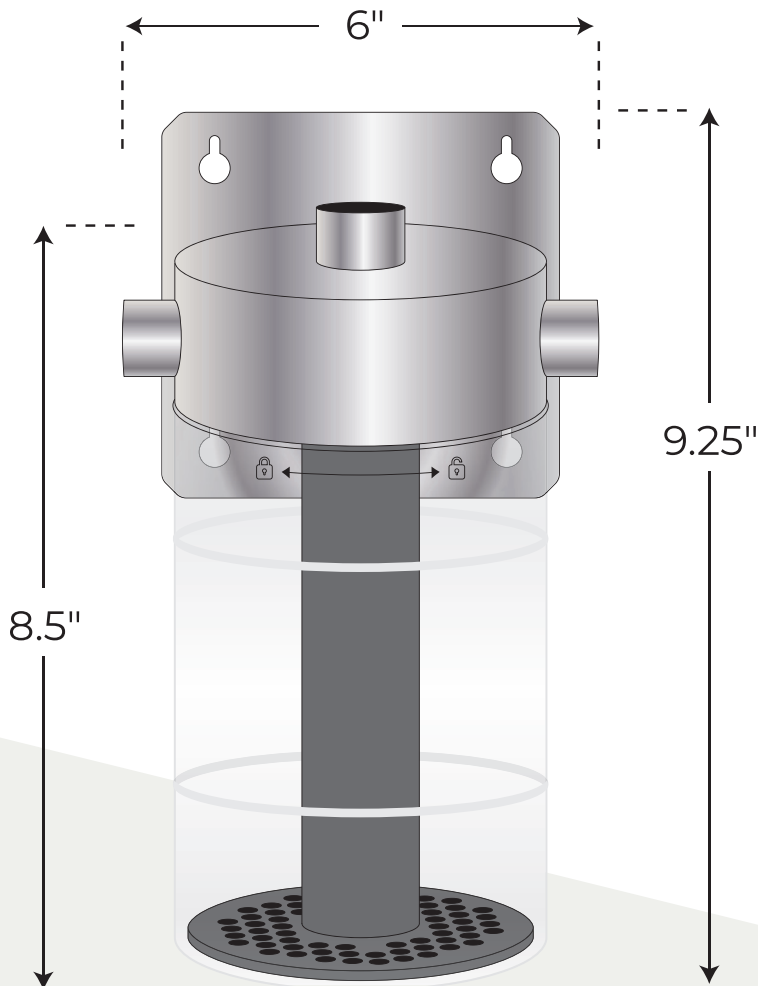


V-200

FRONT VIEW



INCLUDED PARTS

- (1) O-ring
- (2) 3/4" Socket Adapter
- (2) 3/4" Barb Fitting
- (1) Plug

SPECIFICATIONS

Part No.:	4101
MBH:	200
GPH:	1.6
Material:	ABS/PET
Pellets:	1.6 lbs.
Inlet/Outlet:	3/4"