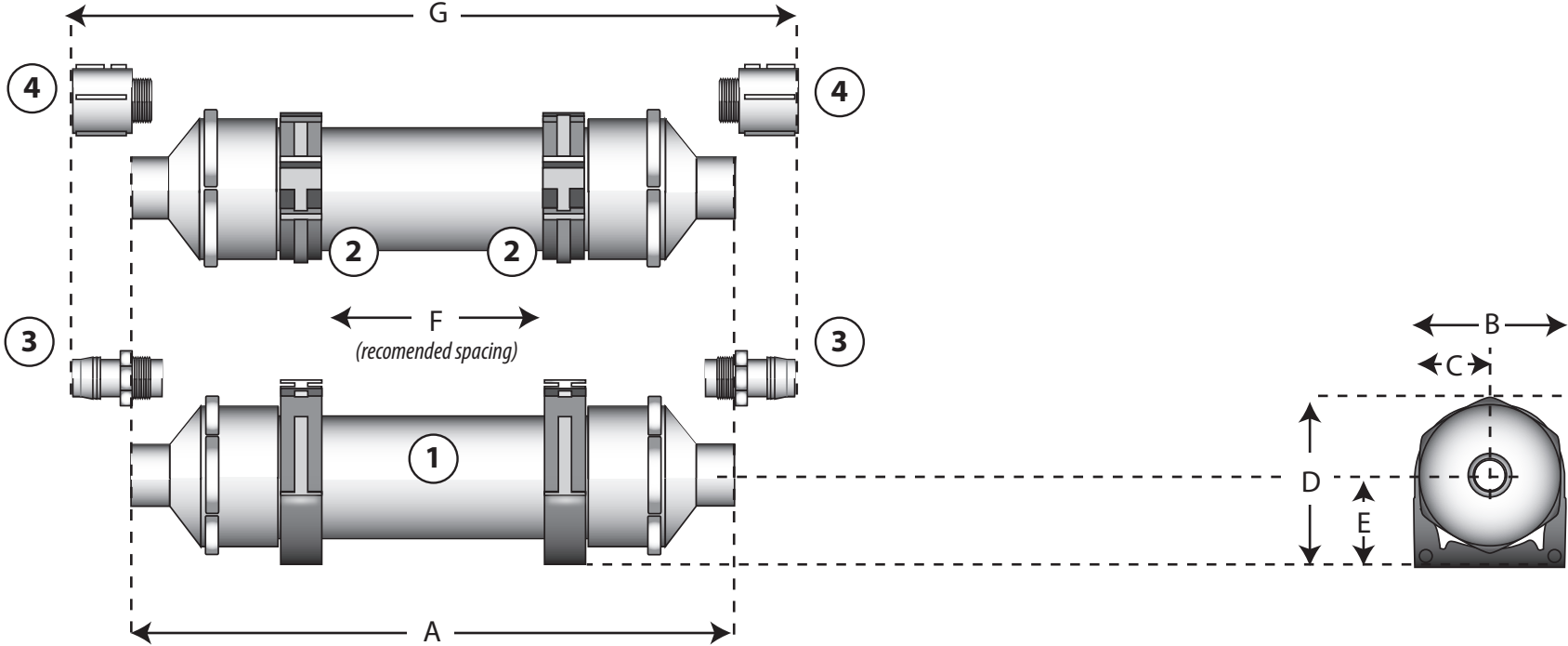


JM-2 Condensate PH Treatment Tube



JJM Boiler Works, Inc.
Ph Neutralizing Tubes & Tanks

Top



Left side

End view

Ratings & Dimensions (in inches)									
Model	MBH	GPH	A	B	C	D	E	F	G
JM-2	150	1.20	12 1/2	2 3/4	1 3/8	3 1/2	1 7/8	6 1/2	15 1/2

1	PVC tubing filled with MGO pellets	
2	Clamp-on support brackets	
3	Condensate hose barb fitting	3/4" hose barb x 1/2" NPT --or-- 3/4" PVC x 1/2" NPT (both supplied)
4	PVC Socket Fitting	