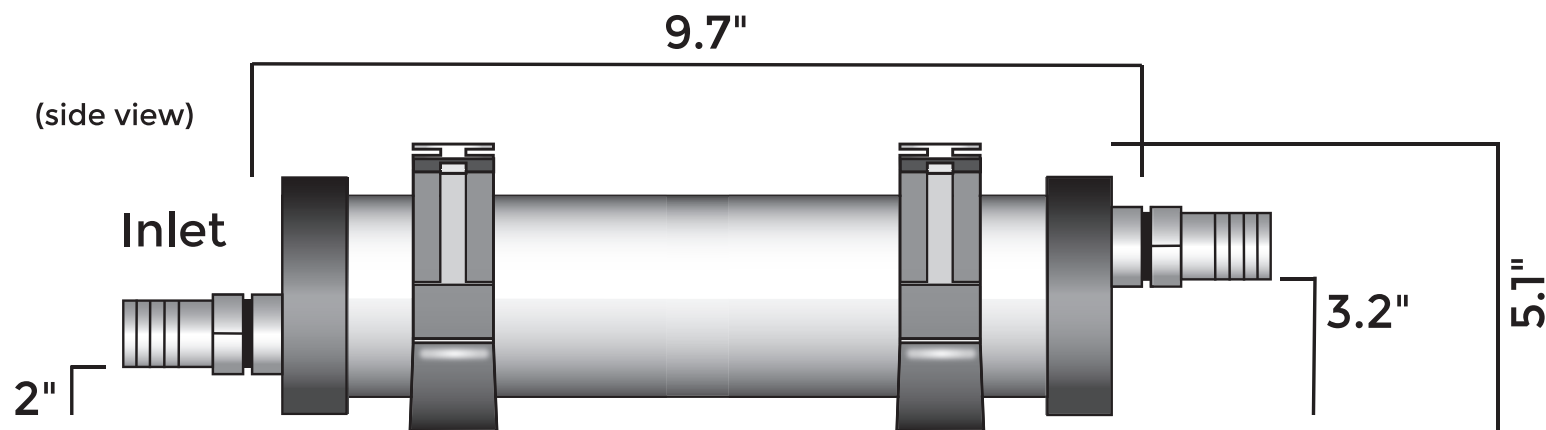


JJM® K-300



K-300 Included Parts
(2) Screens
(2) End-caps
(2) Mounting Brackets
(2) O-rings
(2) 3/4" Socket Adapters
(2) 3/4" Barb Fittings

Part No.	MBH	GPH	Inlet/Outlet
5101	300-400	2.4	3/4"